

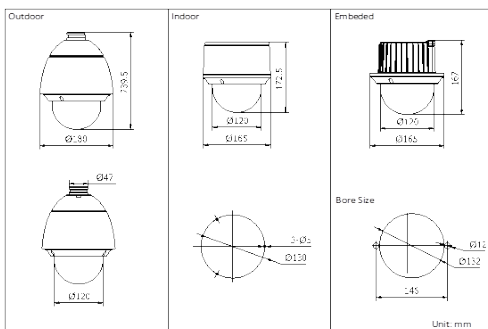
## DS-2AF4262(N) series 650TVL Analog PTZ Dome Camera



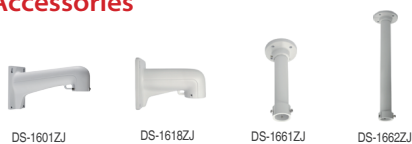
### Key features

- 1/3" Sony CCD
- 650TVL horizontal resolution
- 12X optical zoom, 16X digital zoom
- True Day/Night, 3D DNR, D WDR
- 3D intelligent positioning
- Alarm input & output

### Dimensions



### Accessories



### Available models

DS-2AF4262-A, PAL, 24VAC, outdoor  
DS-2AF4262-A3, PAL, 24VAC, indoor

DS-2AF4262N-A, NTSC, 24VAC, outdoor  
DS-2AF4262N-A3, NTSC, 24VAC, indoor

	DS-2AF4262(N)-A (outdoor)	DS-2AF4262(N)-A3 (indoor)
<b>Camera</b>		
Image sensor	1/3" CCD	
Effective pixel	PAL: 976(H)×582(V) / NTSC: 976(H)×494(V)	
Horizontal resolution	Color: 650 TVL / B/W: 700 TVL	
Min. Illumination	Color: 0.1Lux/ (F1.6 AGC ON) ; B/W: 0.01Lux/(F1.6 AGC ON)	
White balance	Auto/ATW/Indoor/Outdoor/One push	
AGC	Auto / Manual	
S / N ratio	≥ 50dB	
Digital noise reduction	3D DNT	
Backlight compensation	BLC	
Wide dynamic range	Digital WDR	
Shutter speed	PAL: 1/50 ~ 1/10,000s ; NTSC: 1/60 ~ 1/10,000s	
Day & Night	IR Cut Filter	
Digital zoom	16X	
Privacy mask	8 privacy masks programmable, optional multiple colors and mosaics	
Focus model	Auto / Semiautomatic / Manual	
<b>Lens</b>		
Focal length	3.8 ~ 45.6mm, 12X	
Zoom speed	Approx. 2s (Optical Wide-Tele)	
Angle of view	50.69 ~ 4.5degree (Wide-Tele)	
Min. working distance	10 ~ 1500mm (Wide-Tele)	
Aperture range	F1.6 ~ F2.7	
<b>Pan and Tilt</b>		
Pan / Tilt Range	Pan range: 360° endless; Tilt range: -2°-90°(Auto Flip)	
Pan / Tilt Speed	Pan Manual Speed: 0.1°-200°/s, Pan Preset Speed: 200°/s Tilt Manual Speed: 0.1°-120°/s, Tilt Preset Speed: 120°/s	
Proportional Zoom	Rotation speed can be adjusted automatically according to zoom multiples	
Number of Preset	256	
Patrol	8 patrols, up to 32 presets per patrol	
Pattern	4 patterns, with the total recording time not less than 10 minutes	
Power-off Memory	Support	
Park Action	Preset / Patrol / Pattern / Pan scan / Tilt scan / Random scan / Frame scan / Panorama scan	
PTZ Position Display	Support	
Zone Scanning/Display	Scanning within programmed zone, display zone title	
Camera Title	Programmable title display	
Compass	Support , the north can be set	
Scheduled Task	Preset / Patrol / Pattern / Pan scan / Tilt scan / Random scan / Frame scan / Panorama scan	
RS-485 communication diagnosis	Including failure information, e.g., wrong address, baud rate errors, et., displayed on the video screen in text	
Manchester code communication diagnosis	Including failure information, e.g., wrong address, baud rate errors s displayed on the video screen in special characters	
<b>Alarm input/output</b>		
Alarm input	2	
Alarm output	1 relay outputs, alarm response actions configurable	
Alarm action	Preset / Patrol / Pattern / Pan scan / Tilt scan / Random scan / Frame scan / Panorama scan / Relay output	
<b>Local output</b>		
Video output	1.0V[p-p] / 75Ω, NTSC (or PAL) composite, BNC	
<b>General</b>		
RS-485 Protocols	HIKVISION, Pelco-P, Pelco-D, self-adaptive	
Power	-A: 24 VAC (12 VDC optional), max.18 W -A3: 24 VAC (12 VDC optional), max. 12W	
Working Temperature	-A: -30°C ~ 65°C (-22°F ~ 149°F) -A3: -10°C ~ 50°C (14°F ~ 122°F) (indoor dome )	
Humidity	90% or less	
Protection Level	IP66 (outdoor dome) TVS 4,000V lightning protection, surge protection and voltage transient protection	
Dimension	Φ180×239.5mm (Φ7.08"×9.43")(Outdoor) Φ165×172.5mm(Φ6.50"×6.79") (Indoor) Φ165×167mm(Φ6.50"×6.57") (In-ceiling)	
Weight	Approx. 2Kg (4.41lbs)	
Mount Option (outdoor dome)	Long-arm wall mount: DS-1601ZJ; Corner mount: DS-1601ZJ-corner; Pole Mount: DS-1601ZJ-pole; Power box mount:DS-1634ZJ	

NOTE: Indoor models support ceiling and in-ceiling mount.